

## MC-980



### Description

**MC-980** Nail Fold Microcirculation Checking Instrument is a new type of optical & electronic instrument, equipped with achromatic objective, new type LED illumination, high definition color sensor. It is mainly applied to nail fold microcirculation checking, no any hurt and side-effect in the checking process. It is the ideal instrument for disease forepart diagnosis, health care etc.

### Features :

- ▲ Illumination using high light white LED, lower power and longer using life, over 10000 hours.
- ▲ The angle and brightness of illumination can be adjusted.
- ▲ 360°rotatable round stage and X-Y axis mobile mechanical stage for convenient and comfortable operation
- ▲ Built-in color CMOS sensor

## Specification

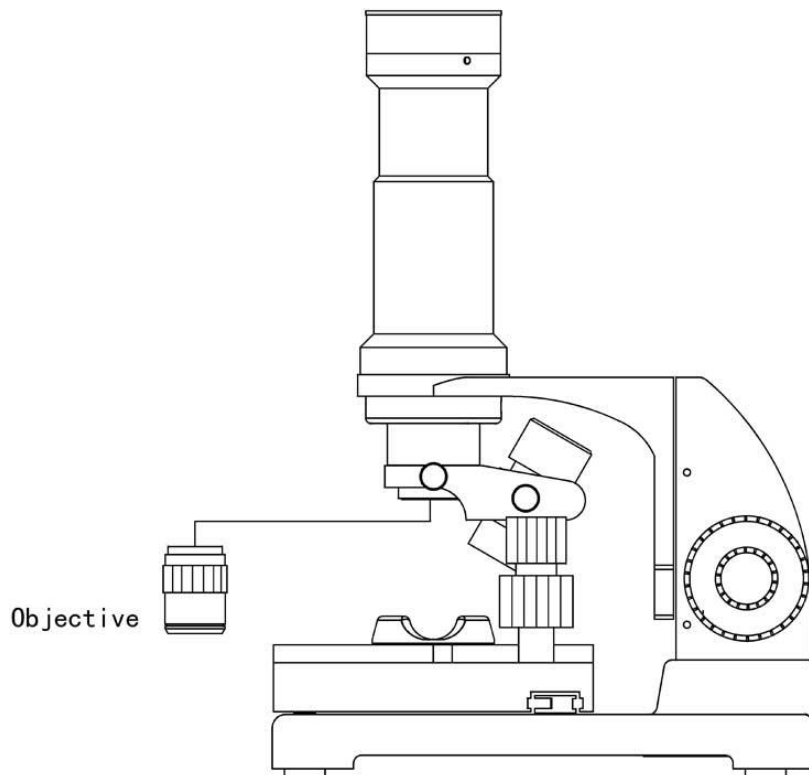
- Standard Configuration

<b>Model</b>	<b>MC-980</b>
<b>Objective</b>	<b>Achromatic 4X/0.10</b>
<b>Color sensor</b>	<b>1/3" CMOS Horizontal resolution: 380 TV lines . White balance: Automatic. Video output: 1Vp-p/ 75Ω.NTSC/PAL (Optional)</b>
<b>Power adapter</b>	<b>Input : 220V /110V(Optional) output : 9V</b>
<b>Movable stage</b>	<b>Mechanism moving stage(size: 130mmX118mm Moving size: 64mmX28mm)</b>
<b>Video cable</b>	<b>Standard Video cable, length:1.8m</b>
<b>LED illumination</b>	<b>High light LED, brightness and illuminate's angle adjusted</b>

- Optional accessories

Name	Sort/Technique parameter	NO.
Objective	Plan achromatic PL 5X/0.12	2040105

## Diagram



## Dimensions

