

MC-1580



MC-1580 digital & video biological microscopes are equipped with achromatic objectives, wide field eyepieces and video trinocular. It provides a clear image, wide field, convenience operation. It can observe and display dynamic micro image at the same time. It can be used for biology, medicine, agriculture, and industry area widely. It is the ideal instrument for medical treatment, teaching demonstration and scientific research.**Features**

- ▲ With wide field eyepieces and achromatic objectives, the field of view is widely and clear
- ▲ Built-in color CCD sensor, with Video and USB output
- ▲ Coaxial coarse/fine focus system, with tensional adjustable and up stop, minimum division of fine focusing: 2 μ m
- ▲ 6V 20W halogen lamps with brightness control.

• Standard Configuration

Model	MC-1580
Eyepiece	WF10X(Φ 18mm)
Objective	Achromatic 4X/0.10
	Achromatic 10X/0.25
	Achromatic 40X/0.65(Spring)
	Achromatic 100X/1.25(Spring, oil)

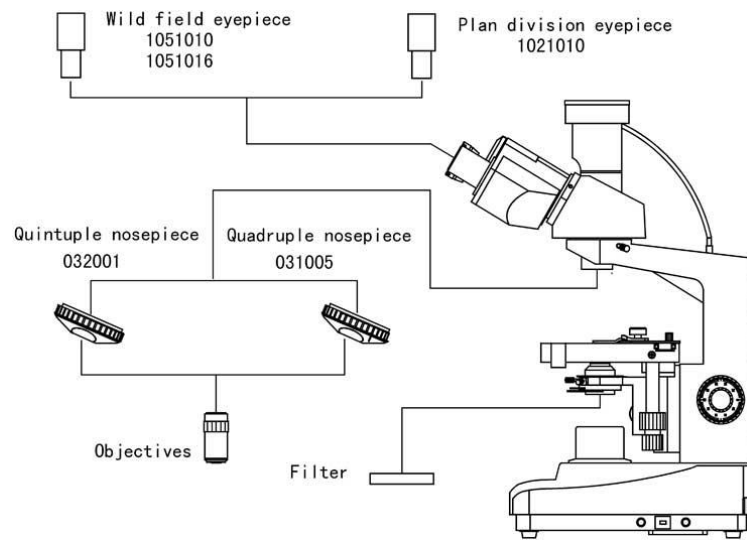
Video trinocular	inside clear color 1/3" CCD sensor
	USB2.0 Output, Max resolution: 720X576(PAL) 720X480(NTSC). White balance: Automatic
	System requirement: Windows 2000/ Windows XP/Windows Vista.
	VIDEO Output, Horizontal resolution: 520 TV lines, 1Vp-p/75Ω NTSC/PAL (optional). White balance: Automatic.
	Accessories: Video cable, USB cable, Driver CD, User guide. Power supply adapter: 12V DC
Focus system	Coaxial coarse/fine focus, with tensional adjustable and up stop, minimum division of fine focusing: 2μm.
Nosepiece	Quadruple(Frontward ball bearing inner locating)
Stage	Double layer mechanical (Size: 135mmX125mm, Move range: 75mmX35mm)
Abbe condenser	N.A.1.25 Rack & pinion adjustable
Filter	Blue filter
	Frosted filter
Collector	For halogen lamp
Light source	6V 20W halogen lamp with brightness control

- **Optional accessories**

Name	Sort/Technique parameter	NO.
Eyepiece	Wide field WF16X(Φ11mm)	1051016
	Dividing 10X(Φ18mm) 0.1mm/Div	1021010
Objective	Plan achromatic 4X/0.10	2040104
	Plan achromatic 10X/0.25	2040110
	Plan achromatic 40X/0.65(Spring)	2040140
	Plan achromatic 100X/1.25(Spring, oil)	2040111
Nosepiece	Quintuple(Frontward ball bearing inner locating)	032001
Filter	Green filter	115002
	Yellow filter	115003

•

Diagram



Dimensions

