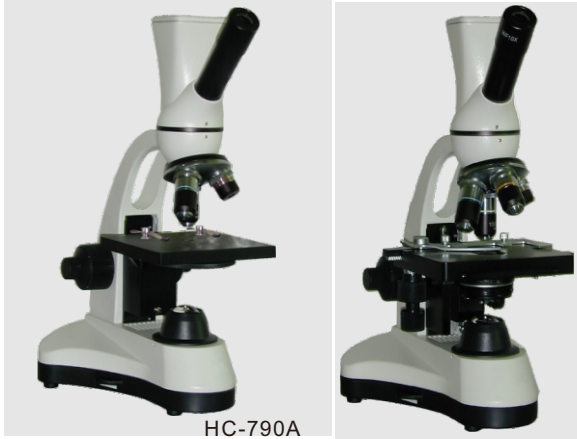


## HC-790 series digital biological microscopes

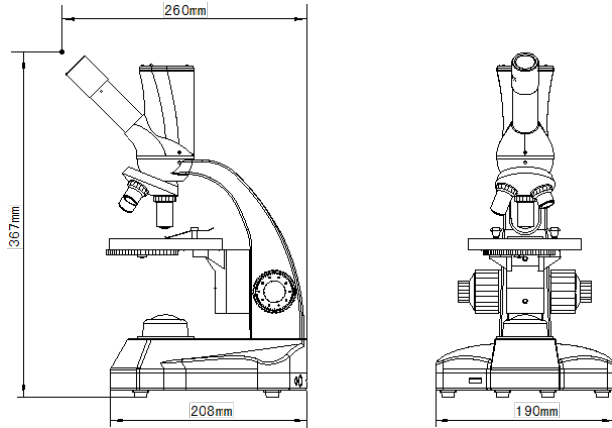
HC-790 series digital biological microscopes are equipped with digital monocular, achromatic objectives and wide field eyepieces. They provide clear image and convenience operation. They can observe and display dynamic micro image at the same time. They can be used for biology, medicine, agriculture and industry area widely. They are the ideal instrument in medical treatment, teaching demonstration and scientific research.

**Features:**

- \* With wide field eyepieces and achromatic objectives, the field of view is clear.
- \* Coaxial coarse/fine focus system. Minimum division of fine focusing: 4µm.
- \* High brightness white LED lamp transmission illumination.
- \* Integrated clear color CMOS camera and USB output.



HC-790B



**Spec:**

Model	HC-790A	HC-790B
Eye piece	WF10X(Φ18mm)	
Objective	Achromatic 4X/0.10	Achromatic 4X/0.10
	Achromatic 10X/0.25	Achromatic 10X/0.25
	Achromatic 40X/0.65(Spring)	Achromatic 40X/0.65 (Spring)
Digital monocular	Built-in clear color CMOS sensor ,0.3 Million pixels, 640*480(UXGA), USB1.1	Built-in clear color CMOS sensor ,1.3 Million pixels, 1280*1024(UXGA), USB2.0
	System requirement: Windows 2000 @SP4 / Windows XP@ SP2	System requirement: Windows 2000@SP4 / Windows XP@ SP2/ Windows Vista
Nosepiece	Triple(Frontward ball bearing outer locating)	Quadruple (Frontward ball bearing outer locating)
Focus system	Coaxial coarse/fine focus system. Minimum division of fine focusing: 4µm	
Stage	Fixed(Size:120mmX120mm, With five holes fixed iris diaphragm)	Double-layer mechanical, size:125mmX115mm, move range:70mmX30mm
Abbe condenser	--	Rack &pinion adjustment
Collector	For LED lamp	
Light source	High brightness white LED lamp	

**Option parts:**

Name	Sort/Technique parameter	
Eyepiece	Wide field WF16X(Φ11mm)	
	Point 10X(Φ18mm)	
Stage	Fixed(Size:120mmX120mm, With single lens and iris diaphragm)	
	Fixed(Size:120mmX120mm, with slide moving holder and Abbe condenser)	
Filter	Blue filter	
	Green filter	
	Yellow filter	
	Frosted filter	
Collector	For Fluorescent and Halogen lamp	
	For Incandescent lamp	
Light source	High brightness white LED lamp	With adapter
	High brightness white LED lamp	With adapter and charge batteries
	Halogen lamp	12V 20W
	Fluorescent lamp	110V/220V, 5W Can be choose
	Incandescent lamp	220V/110V, 20W Can be choose
Adapter	Input: 230V □ 83Ø3K] Rxxw<Y 833p D	
For LED illumination)	Input: 110V □ 83Ø3K] Rxxw<Y 833p D	